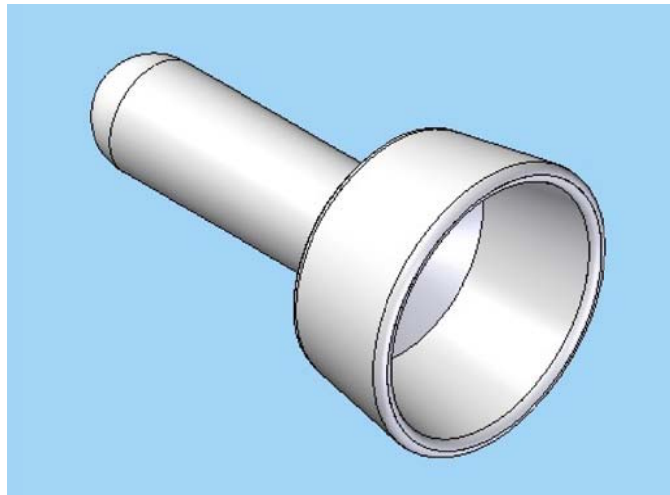


| | A | B | C | L | T | A.W.G. |
|--------|-----|------|-----|------|------|--------|
| CTCB-3 | 2.4 | 6.4 | 5 | 18 | 6 | 22-16 |
| CTCB-4 | 3 | 8.2 | 5.5 | 20 | 9 | 16-24 |
| CTCB-5 | 3.8 | 10.6 | 7.2 | 25.4 | 20 | 12-14 |
| CTCB-8 | 5 | 12.4 | 9 | 27 | 12.5 | 8 |



| Revision | Resp. | Date | Description |
|----------|-------|-------|-------------|
| Revisión | | Fecha | Descripción |
| Revision | Resp. | Date | Description |
| Revisión | | Fecha | Descripción |

Modifications
Modificaciones

This drawing contains confidential information.
Not allowed its reproduction total or partial
*Este plano contiene información confidencial.
Queda prohibida su distribución total o parcial*
All dimensions in metric system
Unidades en sistema métrico

| TOL.GEN.DIN 7168 | >0.5 a 6 | >6 a 30 | >30 a 120 | >120 a 315 | >315 a 1000 | >1000 a 2000 |
|---------------------|----------------|---------------|-----------------|------------------|-------------------|--------------------|
| FINO | ± 0.05 | ± 0.1 | ± 0.15 | ± 0.2 | ± 0.3 | ± 0.5 |
| MEDIO | ± 0.1 | ± 0.2 | ± 0.3 | ± 0.5 | ± 0.8 | ± 1.2 |
| BASTO | ± 0.2 | ± 0.5 | ± 0.8 | ± 1.2 | ± 2 | ± 3 |

TOLERANCIA GENERAL:
GENERAL TOLERANCE: MEDIO

| Project Proyecto | Wire connections Conector cables | | | Material | PA66 V2 | | |
|--|-------------------------------------|--------------------|---------------|--|--------------------|--------------------|---|
| Part name | CLOSE END CONNECTOR | | | Color | Natural | | |
| Denominación | CONECTOR TERMINAL CABLES | | | | | | |
| Reference Referencia | CTCB | | | Finish Acabado | Flat Liso | | |
| Drawn Dibujado Checked Comprobado | Name Nombre | Signature Firma | Date Fecha | Tolerances unless noted Tolerancias salvo indicación Dimensions Cotas | Version Versión | Version Versión | Electronics Technologies Plastics |
| | A.Amores | | 20/06/08 | | ± 0.2 | ± 0.5 | |