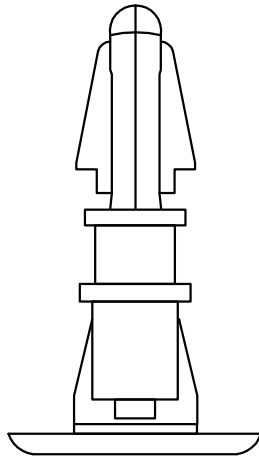
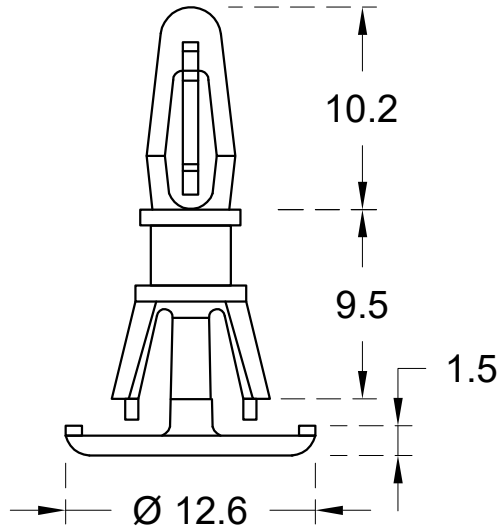


P.C.B Ø 4
THICKNESS 1.2-1.6



P.C.B Ø 6.35
THICKNESS 1.0-1.6

TOL. GEN. DIN 7168	>0.5 a 6	>6 a 30	>30 a 120	>120 a 315	>315 a 1000	>1000 a 2000	Angles ± 0.5	Version	Sheet size	Drawn	SCAB17		Material	Color	Finish
	± 0.05	± 0.1	± 0.15	± 0.2	± 0.3	± 0.5		R04	A3		Part name	Project	Nylon 66(UL)	Natural/Black	
	□ FIND	± 0.1	± 0.2	± 0.3	± 0.5	± 0.8		± 1.2	Sheet number	Checked	Date	SOPORTE ANCLAJE	SPACER SUPPORT	This drawing contains confidential information. Not allowed its reproduction total or partial All dimensions in metric system	
□ MEDIO	± 0.2	± 0.5	± 0.8	± 1.2	± 2	± 3		1/1	-	23/04/19			E 040		
□ BASTO															

