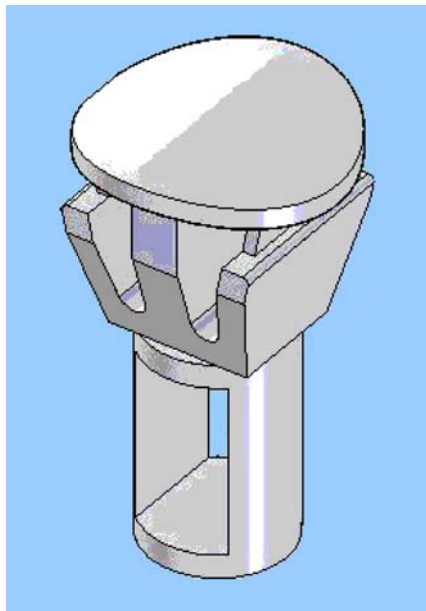
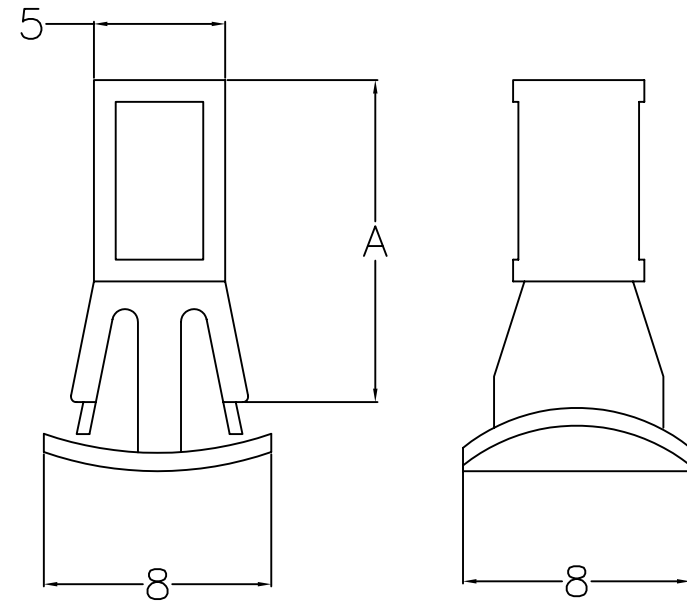


| NYLON 66<br>(UL94V-2) | NYLON 66<br>(UL94V-0) | A  | Ø AGUJERO<br>Ø HOLE |        | GRUESO<br>THICKNESS |               |
|-----------------------|-----------------------|----|---------------------|--------|---------------------|---------------|
|                       |                       |    | PLACA/PCB           | CHASIS | PLACA/PCB           | CHASIS        |
| SCAB5-050             | SCAB5-050-U           | 5  | -                   | 5.5    | -                   | 1.2<br>A<br>2 |
| SCAB5-060             | SCAB5-060-U           | 6  |                     |        |                     |               |
| SCAB5-080             | SCAB5-080-U           | 8  |                     |        |                     |               |
| SCAB5-100             | SCAB5-100-U           | 10 |                     |        |                     |               |
| SCAB5-120             | SCAB5-120-U           | 12 |                     |        |                     |               |
| SCAB5-140             | SCAB5-140-U           | 14 |                     |        |                     |               |
| SCAB5-160             | SCAB5-160-U           | 16 |                     |        |                     |               |
| SCAB5-170             | SCAB5-170-U           | 17 |                     |        |                     |               |
| SCAB5-180             | SCAB5-180-U           | 18 |                     |        |                     |               |



| Revision | Resp. | Date  | Description |
|----------|-------|-------|-------------|
| Revisión |       | Fecha | Descripción |
| Revision | Resp. | Date  | Description |
| Revisión |       | Fecha | Descripción |

Modifications  
Modificaciones

|                         |                                       |                    |               |                     |   |                           |   |
|-------------------------|---------------------------------------|--------------------|---------------|---------------------|---|---------------------------|---|
| Project<br>Proyecto     | Spacer<br>Separador                   |                    |               | Material            | PA66 V2   |                           | This drawing contains confidential information.<br>Not allowed its reproduction total or partial<br><i>Este plano contiene información confidencial.<br/>Queda prohibida su distribución total o parcial</i><br>All dimensions in metric system<br><i>Unidades en sistema métrico</i> |
| Part name               | P.C.B. SUPPORT POST                   |                    |               |                     | Color   | Black - negro             |   |
| Denominación            | SEPARADOR VERTICAL<br>PLACAS CIRCUITO |                    |               | Finish<br>Acabado   |   | Flat<br>Liso              |   |
| Reference<br>Referencia | SCAB5                                 |                    |               |                     | Tolerancias unless noted<br><i>Tolerancias salvo indicación</i> | Version<br>Versión        |   |
| Drawn<br>Dibujado       | Name<br>Nombre                        | Signature<br>Firma | Date<br>Fecha | Dimensions<br>Cotas | Angles<br>Ángulos   | Sheet size<br>Hoja número |   |
| Checked<br>Comprobado   | A. Amores                             |                    | 18/10/2010    | ± 0.2               | ± 0.5   |                           | DIN A4  |

