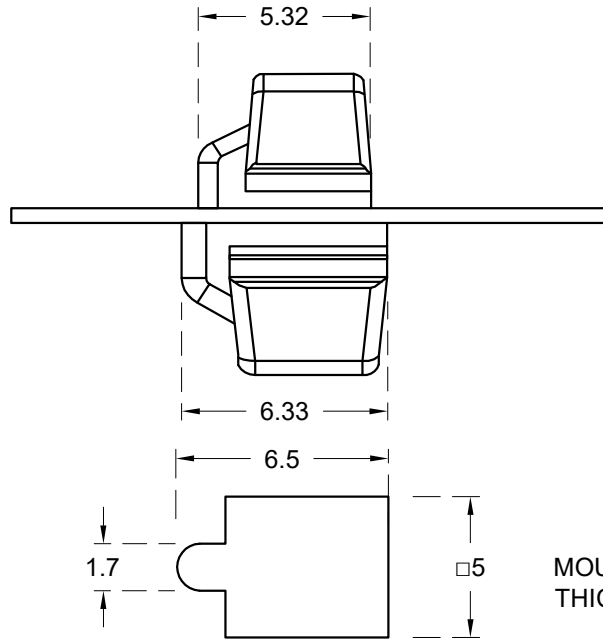
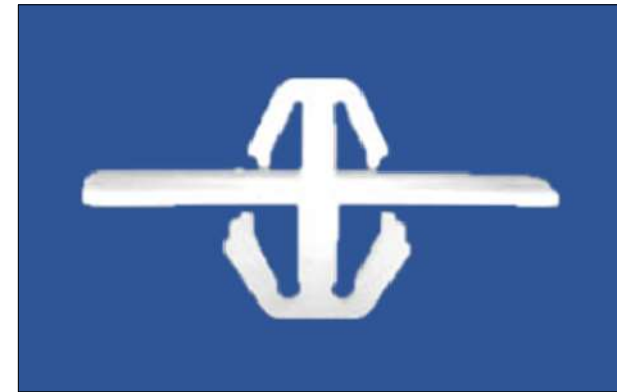
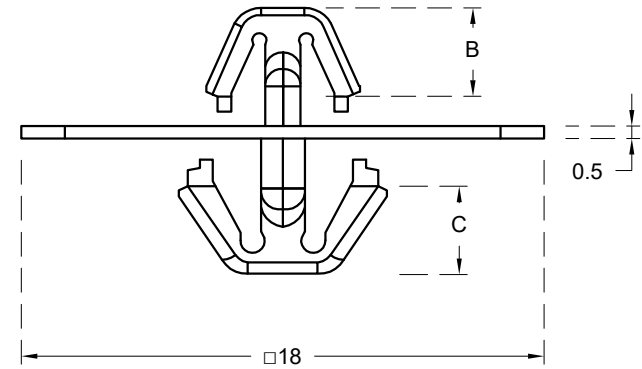


MOUNTING HOLE
THICKNESS E



MOUNTING HOLE
THICKNESS 1.0-1.5



| REF | B | C | E |
|-----------|-----|-----|-----|
| SCALN -05 | 3.5 | 3.4 | 0.5 |
| SCALN -10 | 3.6 | 3.5 | 1.0 |

| TOL. GEN. DIN 7168 | >0.5 | >6 | >30 | >120 | >315 | >1000 | Angles ± 0.5 | Version | Sheet size | Drawn | SCALN | | Material Nylon 66 (UL 94V-2) | Color Natural/Black | Finish | | | |
|-----------------------|---------------|----------------|-----------------|-----------------|------------------|------------------|-----------------|--------------|------------|----------|----------------|----------------|---|------------------------|--------|--|--|--|
| | $\frac{a}{6}$ | $\frac{a}{30}$ | $\frac{a}{120}$ | $\frac{a}{315}$ | $\frac{a}{1000}$ | $\frac{a}{2000}$ | | R04 | A3 | | Part name | Project | | | | | | |
| □ F1ND | ± 0.05 | ± 0.1 | ± 0.15 | ± 0.2 | ± 0.3 | ± 0.5 | | Sheet number | Checked | Date | ANCHOR SUPPORT | SPACER SUPPORT | This drawing contains confidential information. Not allowed its reproduction total or partial All dimensions in metric system | | | | | |
| □ MEDIO | ± 0.1 | ± 0.2 | ± 0.3 | ± 0.5 | ± 0.8 | ± 1.2 | | 1/1 | - | 29/04/19 | | | | | | | | |
| □ BASTO | ± 0.2 | ± 0.5 | ± 0.8 | ± 1.2 | ± 2 | ± 3 | | | | | | | | | | | | |

