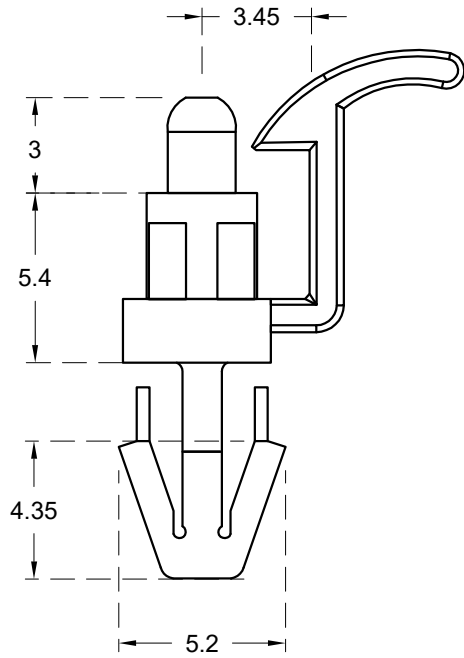
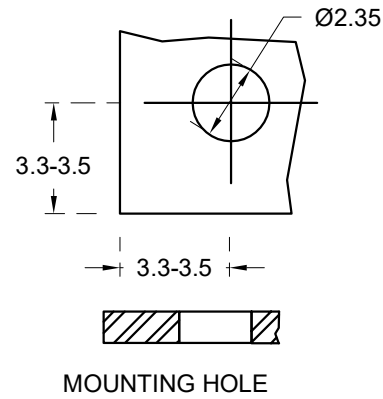
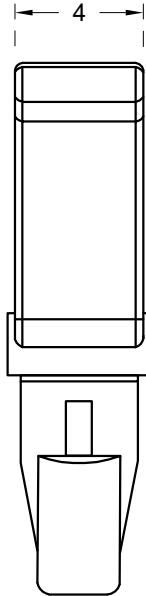


P.C.B: Ø 2.35  
THICKNESS : 1.0



P.C.B: Ø 4.0  
THICKNESS : 2.4



TOL. GEN. DIN 7168	>0.5	>6	>30	>120	>315	>1000	Angles ± 0.5	Version	Sheet size	Drawn	SCALR		Material	Color	Finish
	$\frac{a}{6}$	$\frac{a}{30}$	$\frac{a}{120}$	$\frac{a}{315}$	$\frac{a}{1000}$	$\frac{a}{2000}$		R04	A3		Part name	Project	Nylon 66 (UL 94V-2)	Natural/Black	
□ FIND	± 0.05	± 0.1	± 0.15	± 0.2	± 0.3	± 0.5		Sheet number	Checked	Date	ANCHOR SUPPORT	SPACER SUPPORT	This drawing contains confidential information. Not allowed its reproduction total or partial All dimensions in metric system		
□ MEDIO	± 0.1	± 0.2	± 0.3	± 0.5	± 0.8	± 1.2		1/1	-	23/05/19					
□ BASTO	± 0.2	± 0.5	± 0.8	± 1.2	± 2	± 3									

