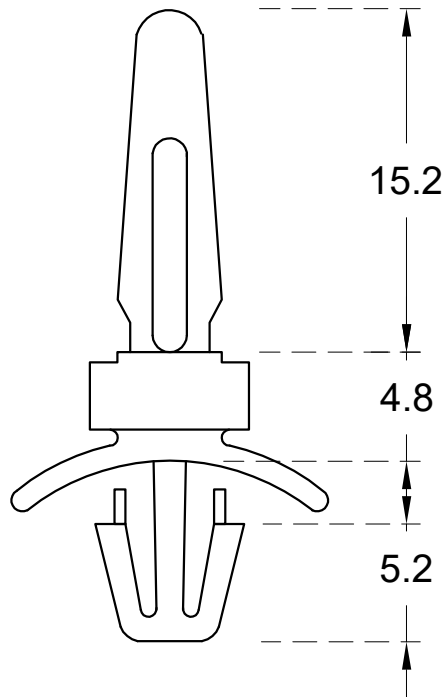
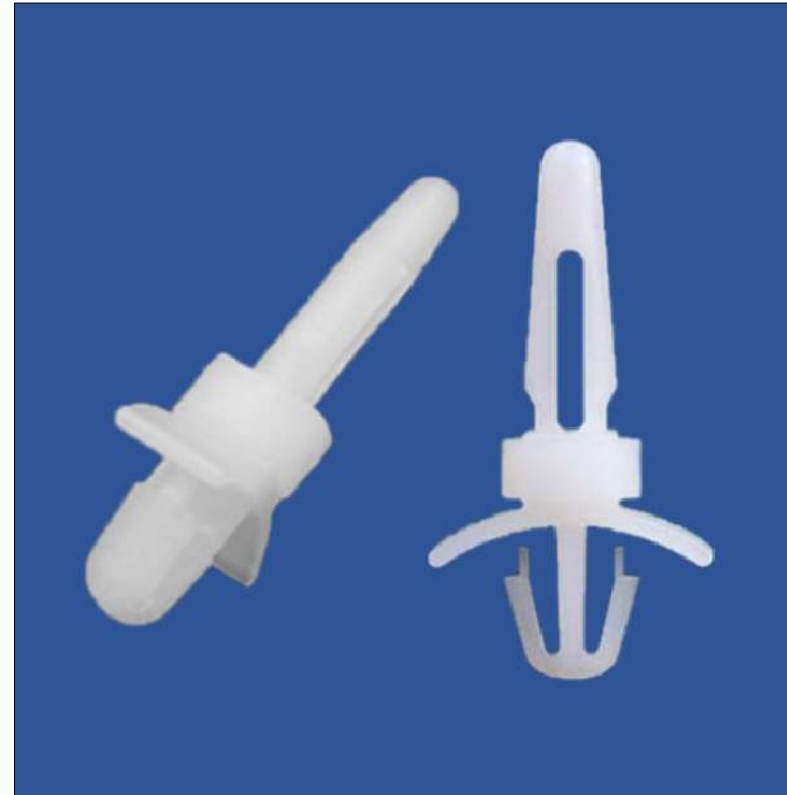


P.C.B: Ø 4.0  
THICKNESS 1.2-1.7



P.C.B: Ø 4.8  
THICKNESS 0.8-2.0



TOL.GEN.DIN 7168	>0.5 a 6	>6 a 30	>30 a 120	>120 a 315	>315 a 1000	>1000 a 2000	Angles ± 0.5	Version R04	Sheet size A3	Drawn	SCAM13		Material Nylon 66 (UL 94V-2)	Color Natural/Black	Finish
	□ FIND ± 0.05	± 0.1	± 0.15	± 0.2	± 0.3	± 0.5		Sheet number 1/1	Checked -	Date 08/05/19	Part name ANCHOR SUPPORT	Project SPACER SUPPORT	This drawing contains confidential information. Not allowed its reproduction total or partial All dimensions in metric system		
□ MEDIO ± 0.1	± 0.2	± 0.3	± 0.5	± 0.8	± 1.2	□ BASTO ± 0.2		± 0.5	± 0.8	± 1.2	± 2	± 3			