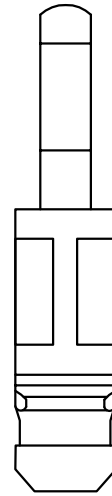
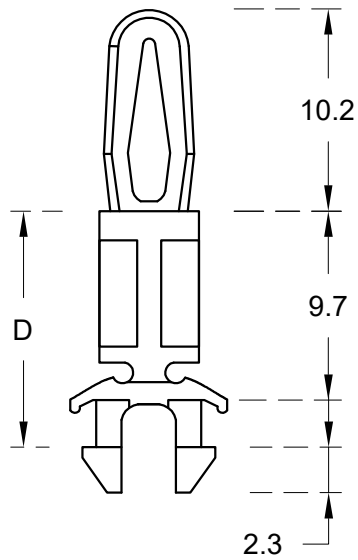


P.C.B: Ø 4.0
THICKNESS 1.2-1.7



P.C.B: Ø 5.4
THICKNESS F



REF	D	F
SCAM14 -09	11.7	1.6
SCAM14 -10	12.0	2.2

TOL. GEN. DIN 7168	>0.5	>6	>30	>120	>315	>1000	Angles ± 0.5	Version	Sheet size	Drawn	SCAM14		Material	Color	Finish
	$\frac{a}{6}$	$\frac{a}{30}$	$\frac{a}{120}$	$\frac{a}{315}$	$\frac{a}{1000}$	$\frac{a}{2000}$		R04	A3		Part name	Project	Nylon 66 (UL 94V-2)	Natural/Black	
□ FIND	± 0.05	± 0.1	± 0.15	± 0.2	± 0.3	± 0.5		Sheet number	Checked	Date	ANCHOR SUPPORT	SPACER SUPPORT	This drawing contains confidential information. Not allowed its reproduction total or partial All dimensions in metric system		
□ MEDIO	± 0.1	± 0.2	± 0.3	± 0.5	± 0.8	± 1.2		1/1	-	08/05/19					
□ BASTO	± 0.2	± 0.5	± 0.8	± 1.2	± 2	± 3									

