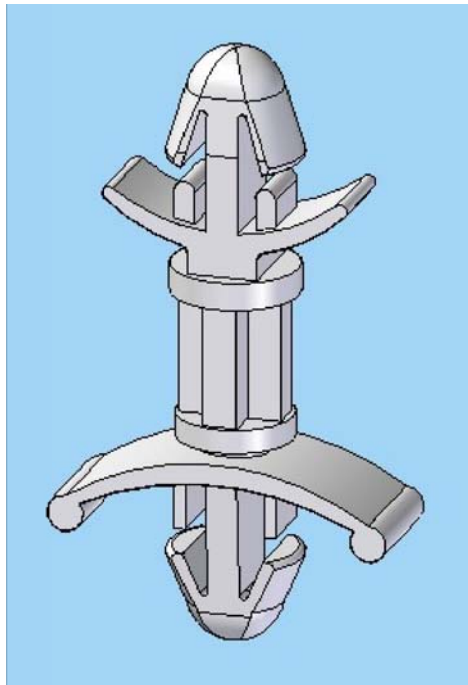
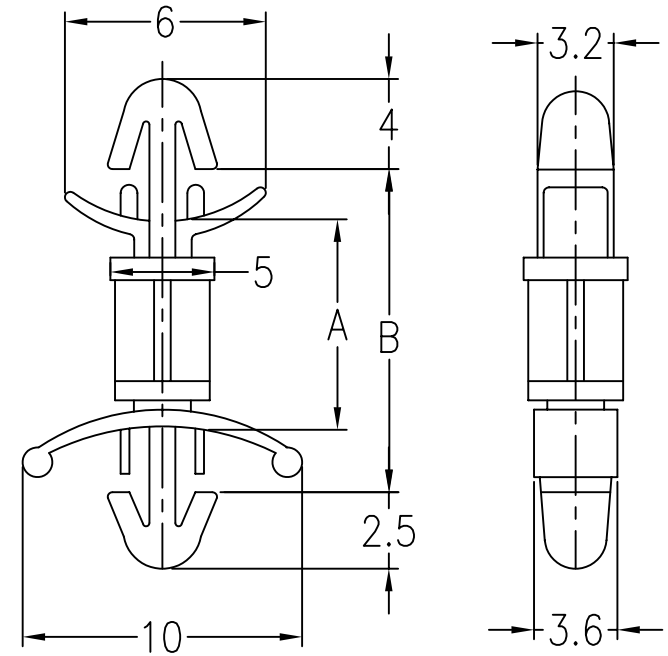


| REF | | | | | A | B | PZAS CAJA BOX QTY |
|-------------|-----|-----|---------|---------|------|------|----------------------|
| SCAM3-048 | 3.5 | 3.5 | 0.8-1.6 | 0.8-1.6 | 4.4 | 8.9 | 1000 |
| SCAM3-048-U | 3.5 | 3.5 | 0.8-1.6 | 0.8-1.6 | 4.4 | 8.9 | 1000 |
| SCAM3-064 | 3.5 | 3.5 | 0.8-1.6 | 0.8-1.6 | 6 | 10.5 | 1000 |
| SCAM3-064-U | 3.5 | 3.5 | 0.8-1.6 | 0.8-1.6 | 6 | 10.5 | 1000 |
| SCAM3-079 | 3.5 | 3.5 | 0.8-1.6 | 0.8-1.6 | 7.6 | 12.1 | 1000 |
| SCAM3-079-U | 3.5 | 3.5 | 0.8-1.6 | 0.8-1.6 | 7.6 | 12.1 | 1000 |
| SCAM3-095 | 3.5 | 3.5 | 0.8-1.6 | 0.8-1.6 | 9.2 | 13.7 | 1000 |
| SCAM3-095-U | 3.5 | 3.5 | 0.8-1.6 | 0.8-1.6 | 9.2 | 13.7 | 1000 |
| SCAM3-111 | 3.5 | 3.5 | 0.8-1.6 | 0.8-1.6 | 10.8 | 15.3 | 1000 |
| SCAM3-111-U | 3.5 | 3.5 | 0.8-1.6 | 0.8-1.6 | 10.8 | 15.3 | 500 |
| SCAM3-127 | 3.5 | 3.5 | 0.8-1.6 | 0.8-1.6 | 12.3 | 16.8 | 1000 |
| SCAM3-127-U | 3.5 | 3.5 | 0.8-1.6 | 0.8-1.6 | 12.3 | 16.8 | 500 |
| SCAM3-159 | 3.5 | 3.5 | 0.8-1.6 | 0.8-1.6 | 15.5 | 20 | 1000 |
| SCAM3-159-U | 3.5 | 3.5 | 0.8-1.6 | 0.8-1.6 | 15.5 | 20 | 500 |



| TOL.GEN.DIN 7168 | >0.5 a 6 | >6 a 30 | >30 a 120 | >120 a 315 | >315 a 1000 | >1000 a 2000 |
|---------------------|----------------|---------------|-----------------|------------------|-------------------|--------------------|
| FINO | ± 0.05 | ± 0.1 | ± 0.15 | ± 0.2 | ± 0.3 | ± 0.5 |
| MEDIO | ± 0.1 | ± 0.2 | ± 0.3 | ± 0.5 | ± 0.8 | ± 1.2 |
| BASTO | ± 0.2 | ± 0.5 | ± 0.8 | ± 1.2 | ± 2 | ± 3 |

TOLERANCIA GENERAL:
GENERAL TOLERANCE: MEDIO

| Revision | Resp. | Date | Description |
|----------|-------|-------|-------------|
| Revisión | Resp. | Fecha | Descripción |
| Revision | Resp. | Date | Description |
| Revisión | Resp. | Fecha | Descripción |

Modifications
Modificaciones

| | | | | | | | |
|-------------------------|------------------------------|--------------------|---------------|---------------------|--|-----------------------------|---|
| Project Proyecto | Spacer Separador | | | Material | PA66 V2 PA66 V0 | | This drawing contains confidential information. Not allowed its reproduction total or partial <i>Este plano contiene información confidencial. Queda prohibida su distribución total o parcial</i> All dimensions in metric system <i>Unidades en sistema métrico</i> |
| Part name | P.C.B. SUPPORT POST | | | | Color | Natural-Blanco-White | |
| Denominación | SEPARADOR PLACAS DE CIRCUITO | | | Finish Acabado | | Flat Liso | |
| Reference Referencia | SCAM 3 | | | | Tolerances unless noted <i>Tolerancias salvo indicación</i> | | |
| Drawn Dibujado | Name Nombre | Signature Firma | Date Fecha | Dimensions Cotas | Angles Ángulos | Sheet size Tamaño página | Version Versión |
| | Checked Comprobado | | | ± 0.2 | ± 0.5 | Sheet number Hoja número | |