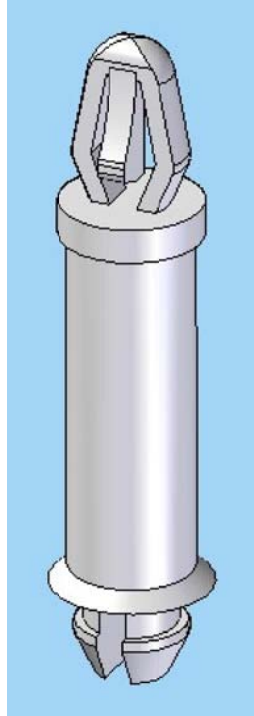
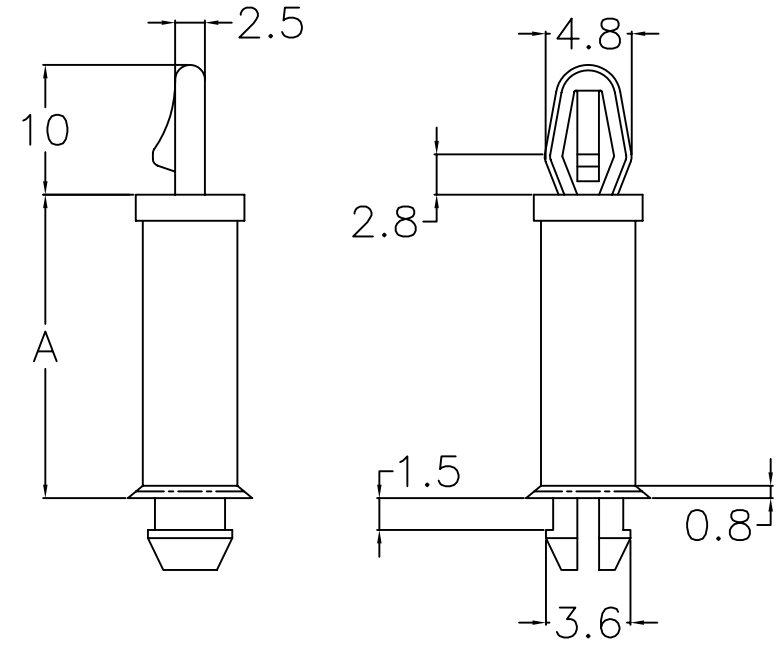


| PA 66<br>(UL94V-2) | PA 66<br>(UL94V-0) | A    | Ø AGUJERO<br>Ø HOLE |        | GRUESO<br>THICKNESS |        |
|--------------------|--------------------|------|---------------------|--------|---------------------|--------|
|                    |                    |      | PLACA-PCB           | CHASIS | PLACA-PCB           | CHASIS |
| SCAM4-032          | SCAM4-032-U        | 3.2  | 4                   | 3.2    | 1.6                 | 1.6    |
| SCAM4-064          | SCAM4-064-U        | 6.4  |                     |        |                     |        |
| SCAM4-079          | SCAM4-079-U        | 7.9  |                     |        |                     |        |
| SCAM4-095          | SCAM4-095-U        | 9.5  |                     |        |                     |        |
| SCAM4-111          | SCAM4-111-U        | 11.1 |                     |        |                     |        |
| SCAM4-127          | SCAM4-127-U        | 12.7 |                     |        |                     |        |
| SCAM4-159          | SCAM4-159-U        | 15.9 |                     |        |                     |        |
| SCAM4-174          | SCAM4-174-U        | 17.4 |                     |        |                     |        |
| SCAM4-191          | SCAM4-191-U        | 19.1 |                     |        |                     |        |
| SCAM4-222          | SCAM4-222-U        | 22.2 |                     |        |                     |        |



| TOL. GEN. DIN 7168 | >0.5<br>a<br>6 | >6<br>a<br>30 | >30<br>a<br>120 | >120<br>a<br>315 | >315<br>a<br>1000 | >1000<br>a<br>2000 |
|--------------------|----------------|---------------|-----------------|------------------|-------------------|--------------------|
| FINO               | ± 0.05         | ± 0.1         | ± 0.15          | ± 0.2            | ± 0.3             | ± 0.5              |
| MEDIO              | ± 0.1          | ± 0.2         | ± 0.3           | ± 0.5            | ± 0.8             | ± 1.2              |
| BASTO              | ± 0.2          | ± 0.5         | ± 0.8           | ± 1.2            | ± 2               | ± 3                |

TOLERANCIA GENERAL: MEDIO  
GENERAL TOLERANCE: MEDIO

| Project<br>Proyecto       | Spacer<br>Separador                             |                    |               | Material  | PA66 V2<br>PA66 V0   | Modifications<br>Modificaciones  |        |
|---------------------------|---|--------------------|---------------|---|----------------------|--|--------|
| Part name<br>Denominación | P.C.B. SUPPORT POST<br>SEPARADOR PLACA CIRCUITO |                    |               | Color   | Natural-Blanco-White | This drawing contains confidential information.<br>Not allowed its reproduction total or partial.<br>Este plano contiene información confidencial.<br>Queda prohibida su distribución total o parcial.<br>All dimensions in metric system<br>Unidades en sistema métrico |        |
| Reference<br>Referencia   | SCAM 4  |                    |               | Finish<br>Acabado                                       | Flat<br>Liso         | Version<br>Versión   |        |
| Drawn<br>Dibujado         | Name<br>Nombre                                  | Signature<br>Firma | Date<br>Fecha | Tolerances unless noted<br>Tolerancias salvo indicación | Version<br>Versión   | Version<br>Versión   |        |
| Checked<br>Comprobado     | A. Amores                                       |                    | 18/01/11      | Dimensions<br>Cotas                                     | Angles<br>Ángulos    | Sheet size<br>Tamaño página  | DIN A4 |
|                           |   |                    |               | ± 0.2   | ± 0.5                | Sheet number<br>Hoja número  |        |

