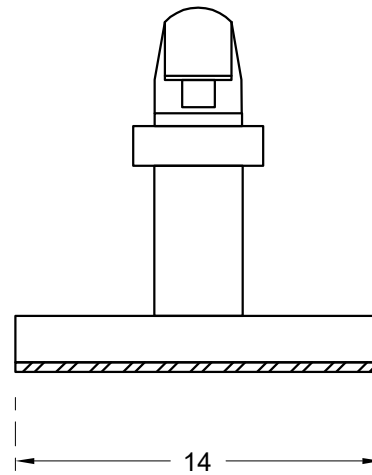


P.C.B Ø 3.5
THICKNESS 1.2-1.6



REF	SCHA-4-027	SCHA-4-040	SCHA-4-056	SCHA-4-072	SCHA-4-92	SCHA-4-119
A	2.7	4.0	5.6	7.2	9.2	11.9

TOL. GEN. DIN 7168	>0.5	>6	>30	>120	>315	>1000	Angles ± 0.5	Version	Sheet size	Drawn	SCHA-4		Material	Color	Finish
	$\frac{a}{6}$	$\frac{a}{30}$	$\frac{a}{120}$	$\frac{a}{315}$	$\frac{a}{1000}$	$\frac{a}{2000}$		R04	A3		Part name	Project	Nylon 66 (UL 94V-2)	Natural/Black	
<input type="checkbox"/> FIND	± 0.05	± 0.1	± 0.15	± 0.2	± 0.3	± 0.5		Sheet number	Checked	Date	ANCHOR SUPPORT	SPACER SUPPORT	This drawing contains confidential information. Not allowed its reproduction total or partial All dimensions in metric system		
<input type="checkbox"/> MEDIO	± 0.1	± 0.2	± 0.3	± 0.5	± 0.8	± 1.2		1/1	-	21/05/19					
<input type="checkbox"/> BASTO	± 0.2	± 0.5	± 0.8	± 1.2	± 2	± 3									