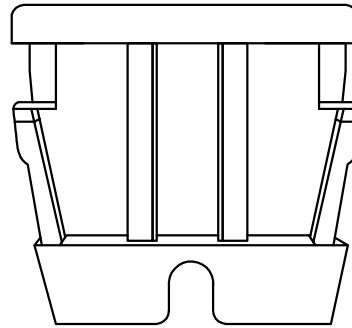


2PIN /3PIN



MOUNTING HOLE Ø5.0
THICKNESS 0.8



TOL. GEN. DIN 7168	>0.5 a 6	>6 a 30	>30 a 120	>120 a 315	>315 a 1000	>1000 a 2000	Angles ± 0.5	Version	Sheet size	Drawn	SLED-F		Material	Color	Finish	
	± 0.05	± 0.1	± 0.15	± 0.2	± 0.3	± 0.5		R04	A3		Part name	Project	Nylon 66 (UL) 94V-2/94V-0	Black		
	□ FIND	± 0.1	± 0.2	± 0.3	± 0.5	± 0.8		± 1.2	Sheet number	Checked	Date	ANCHOR SUPPORT	LED HOLDER	This drawing contains confidential information. Not allowed its reproduction total or partial All dimensions in metric system		
□ MEDIO	± 0.2	± 0.5	± 0.8	± 1.2	± 2	± 3		1/1	-	05/09/19						5 010
□ BASTO																

