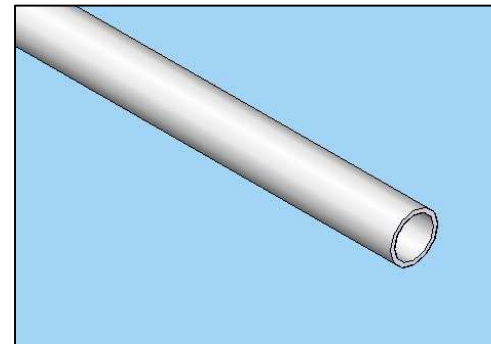
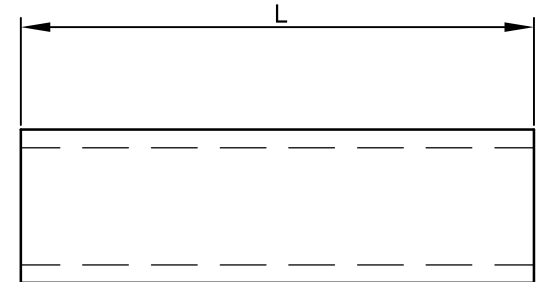
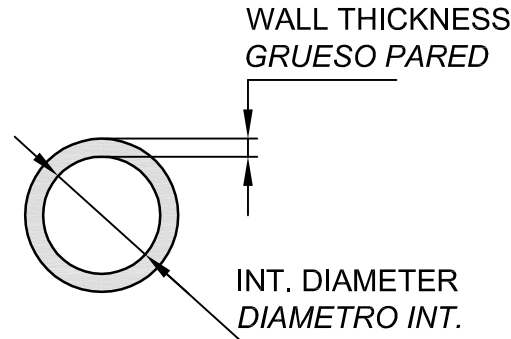


REF.	DIAMETRO INTERIOR INTERNAL DIAMETER (mm)	TOLERANCIAS Ø INTERIOR INTERNAL Ø TOLERANCES (mm)	Grueso pared (mm)		EMBALAJE PACKAGING (m)	PEDIDO MINIMO MIN. QTY. ORDER (m)
			Cat. AH-6 (600V)	Cat. AH-3 (300V)		
TNV-013-N-AH-3	0.55	±0.10		0.40	300	300
TNV-005-N-AH-6	0.55	±0.10	0.60		300	300
TNV-006-N-AH-3	0.65	±0.10		0.40	300	300
TNV-006-N-AH-6	0.65	±0.10	0.60		300	300
TNV-008-N-AH-3	0.85	±0.10		0.40	300	300
TNV-008-N-AH-6	0.85	±0.10	0.60		300	300
TNV-009-N-AH-3	0.90	±0.10		0.40	300	300
TNV-009-N-AH-6	0.90	±0.10	0.60		300	300
TNV-010-N-AH-3	1.0	±0.15		0.40	300	300
TNV-010-N-AH-6	1.0	±0.15	0.60		300	300
TNV-012-N-AH-3	1.2	±0.15		0.40	300	300
TNV-012-N-AH-6	1.2	±0.15	0.62		300	300
TNV-013-N-AH-3	1.3	±0.15		0.40	300	300
TNV-013-N-AH-6	1.3	±0.15	0.62		300	300
TNV-015-N-AH-3	1.5	±0.15		0.40	300	300
TNV-015-N-AH-6	1.5	±0.15	0.62		300	300
TNV-017-N-AH-3	1.7	±0.15		0.40	300	300
TNV-017-N-AH-6	1.7	±0.15	0.62		300	300
TNV-019-N-AH-3	1.9	±0.20		0.40	300	300
TNV-019-N-AH-6	1.9	±0.20	0.62		300	300
TNV-021-N-AH-3	2.1	±0.20		0.40	300	300
TNV-021-N-AH-6	2.1	±0.20	0.62		300	300
TNV-024-N-AH-3	2.4	±0.20		0.40	300	300
TNV-024-N-AH-6	2.4	±0.20	0.62		300	300
TNV-027-N-AH-3	2.7	±0.20		0.50	300	300
TNV-027-N-AH-6	2.7	±0.20	0.62		300	300
TNV-030-N-AH-3	3.0	±0.25		0.50	300	300
TNV-030-N-AH-6	3.0	±0.25	0.62		300	300
TNV-033-N-AH-3	3.3	±0.25		0.50	300	300
TNV-033-N-AH-6	3.3	±0.25	0.62		300	300
TNV-037-N-AH-3	3.7	±0.25		0.50	300	300
TNV-037-N-AH-6	3.7	±0.25	0.62		300	300
TNV-042-N-AH-3	4.2	±0.30		0.50	300	300
TNV-042-N-AH-6	4.2	±0.30	0.62		300	300
TNV-047-N-AH-3	4.7	±0.30		0.50	300	300
TNV-047-N-AH-6	4.7	±0.30	0.62		300	300
TNV-053-N-AH-3	5.3	±0.30		0.50	300	300
TNV-053-N-AH-6	5.3	±0.30	0.62		300	300
TNV-059-N-AH-3	5.9	±0.30		0.50	300	300
TNV-059-N-AH-6	5.9	±0.30	0.62		300	300
TNV-066-N-AH-3	6.6	±0.30		0.50	300	300
TNV-066-N-AH-6	6.6	±0.30	0.62		300	300
TNV-074-N-AH-3	7.4	±0.35		0.50	300	300
TNV-074-N-AH-6	7.4	±0.35	0.62		300	300
TNV-080-N-AH-3	8.3	±0.35		0.50	300	300
TNV-080-N-AH-6	8.3	±0.35	0.62		300	300
TNV-095-N-AH-6	9.5	±0.35	0.62		200	200
TNV-111-N-AH-6	11.1	±0.35	0.62		200	200
TNV-127-N-AH-6	12.7	±0.35	0.62		200	200
TNV-143-N-AH-6	14.3	±0.40	0.80		200	200
TNV-160-N-AH-6	16.0	±0.40	0.80		100	100
TNV-190-N-AH-6	19.0	±0.40	0.90		100	100
TNV-220-N-AH-6	22.0	+0.7-0.5	0.90		100	100
TNV-250-N-AH-6	25.0	+0.7-0.5	0.90		100	100
TNV-270-N-AH-6	27.0	+0.7-0.5	1.00		100	100
TNV-320-N-AH-6	32.0	+1.0-0.5	1.05		50	50
TNV-380-N-AH-6	38.0	+1.0-0.5	1.20		50	50
TNV-440-N-AH-6	44.0	+1.5-1.0	1.40		50	50
TNV-500-N-AH-6	50.0	+1.5-1.0	1.50		50	50



Oil resistant: class 1
Voltage rating: 300V or 600V
Temperature rating: 105°C max.
UL 224 and CSA C22.2
RoHS compliance

Revision	Resp.	Date	Description
Revisión	Resp.	Fecha	Descripción
Revision	Resp.	Date	Description
Revisión	Resp.	Fecha	Descripción

Modifications
Modificaciones

Project Proyecto	Cable protection Proteccion de cables			Material	PVC		This drawing contains confidential information. Not allowed its reproduction total or partial Este plano contiene información confidencial. Queda prohibida su distribución total o parcial All dimensions in metric system Unidades en sistema métrico
Part name	PVC TRANSPARENT FLEXIBLE TUBE				Color	Incoloro-Clear Negro-Black	
Denominación	TUBO DE PVC FLEXIBLE Y TRANSPARENTE			Finish Acabado		Flat Liso	
Reference Referencia	TNV				Tolerances unless noted Tolerancias salvo indicación	Version Versión	
Drawn Dibujado	Name Nombre	Signature Firma	Date Fecha	Dimensions Cotas	Angles Ángulos	Sheet size Tamaño página	A-4
Checked Comprobado			09-06-15	± 0.2	± 0.5	Sheet number Hoja número	1/1

